



CLB5 Compact LED Bar RGBW / RGBWW

LED Lighting Set

Thomann GmbH

Hans-Thomann-Straße 1

96138 Burgebrach

Germany

Telephone: +49 (0) 9546 9223-0

Internet: www.thomann.de

21.06.2024, ID: 419587, 503920 (V10)

Table of contents

1	General information	6
	1.1 Symbols and signal words.....	6
2	Safety instructions	9
3	Features	13
4	Installation	14
5	Starting up	20
6	Connections and controls	22
7	Operating	27
	7.1 Starting the device.....	27
	7.2 Main menu.....	27
	7.3 Menu overview.....	34
	7.4 Functions in 4-channel DMX mode.....	35
	7.5 Functions in 8-channel DMX mode.....	36
	7.6 Functions in 16-channel DMX mode.....	36
	7.7 Functions in 18-channel DMX mode.....	38
	7.8 Functions in 20-channel DMX mode.....	40
	7.9 Reset to factory defaults.....	45
8	Technical specifications	46

9	Plug and connection assignments	49
10	Cleaning	50
11	Protecting the environment	51






1 General information


This document contains important instructions for the safe operation of the product. Read and follow the safety instructions and all other instructions. Keep the document for future reference. Make sure that it is available to all those using the product. If you sell the product to another user, be sure that they also receive this document.

Our products and documentation are subject to a process of continuous development. They are therefore subject to change. Please refer to the latest version of the documentation, which is ready for download under www.thomann.de.

1.1 Symbols and signal words

In this section you will find an overview of the meaning of symbols and signal words that are used in this document.

Signal word	Meaning
DANGER!	This combination of symbol and signal word indicates an immediate dangerous situation that will result in death or serious injury if it is not avoided.
WARNING!	This combination of symbol and signal word indicates a possible dangerous situation that can result in death or serious injury if it is not avoided.
NOTICE!	This combination of symbol and signal word indicates a possible dangerous situation that can result in material and environmental damage if it is not avoided.
Warning signs	Type of danger
	Warning – high-voltage.
	Warning – dangerous optical radiation.
	Warning – suspended load.

Warning signs	Type of danger
	Warning – danger zone.

2 Safety instructions

Intended use

This device is intended for use as an electronic lighting effect by means of LED technology. The device is designed for professional use only and is not suitable for use in households. Use the device only as described in this user manual. Any other use or use under other operating conditions is considered to be improper and may result in personal injury or property damage. No liability will be assumed for damages resulting from improper use.

This device may be used only by persons with sufficient physical, sensorial, and intellectual abilities and having corresponding knowledge and experience. Other persons may use this device only if they are supervised or instructed by a person who is responsible for their safety.



Extend the operating life of the device by regular breaks and by avoiding frequent switching on and off. The device is not suitable for continuous operation.

Safety



DANGER!

Risk of injury and choking hazard for children!

Children can suffocate on packaging material and small parts. Children can injure themselves when handling the device. Never allow children to play with the packaging material and the device. Always store packaging material out of the reach of babies and small children. Always dispose of packaging material properly when it is not in use. Never allow children to use the device without supervision. Keep small parts away from children and make sure that the device does not shed any small parts (such knobs) that children could play with.

**DANGER!****Danger to life due to electric current!**

Within the device there are areas where high voltages may be present. Never remove any covers. There are no user-serviceable parts inside. Do not use the device when covers, safety equipment or optical components are missing or damaged.

**DANGER!****Danger to life due to electric current!**

A short circuit could lead to a fire hazard and risk of death. Always use proper ready-made insulated triple-core mains cable with a safety plug. Do not modify the mains cable or the plug. In case of isolation damage, disconnect immediately the power supply and arrange repair. If in doubt, seek advice from a qualified electrician.

**WARNING!****Risk of eye damage caused by high light intensity!**

The device generates highly intense light radiation. Looking directly into the light source can damage the eyes. Never look directly into the light source.

**WARNING!****Risk of epileptic fit due to flashing lights!**

The device emits flashing lights (strobe effects). Flashing lights can trigger epileptic fits in specific people. If you are at risk of epilepsy, avoid spending longer periods of time subjected to flashing lights and looking into strobing light.

**NOTICE!****Risk of fire due to covered vents and neighbouring heat sources!**

If the vents of the device are covered or the device is operated in the immediate vicinity of other heat sources, the device can over-heat and burst into flames. Never cover the device or the vents. Do not install the device in the immediate vicinity of other heat sources. Never operate the device in the immediate vicinity of naked flames.

NOTICE!**Damage to the device if operated in unsuitable ambient conditions!**

The device can be damaged if it is operated in unsuitable ambient conditions. Only operate the device indoors within the ambient conditions specified in the "Technical specifications" chapter of this user manual. Avoid operating it in environments with direct sunlight, heavy dirt and strong vibrations. Avoid operating it in environments with strong temperature fluctuations. If temperature fluctuations cannot be avoided (for example after transport in low outside temperatures), do not switch on the device immediately. Never subject the device to liquids or moisture. Never move the device to another location while it is in operation. In environments with increased dirt levels (for example due to dust, smoke, nicotine or mist): Have the device cleaned by qualified specialists at regular intervals to prevent damage due to overheating and other malfunctions.

NOTICE!**Damage to the device due to high voltages!**

The device can be damaged if it is operated with the incorrect voltage or if high voltage peaks occur. In the worst case, excess voltages can also cause a risk of injury and fires. Make sure that the voltage specification on the device matches the local power grid before plugging in the device. Only operate the device from professionally installed mains sockets that are protected by a residual current circuit breaker (FI). As a precaution, disconnect the device from the power grid when storms are approaching or if the device will not be used for a longer period.

NOTICE!**Risk of fire by exceeding the maximum current!**

The device can supply power to other devices of identical design and connected in series. If too many devices are connected, the maximum permitted power consumption can be exceeded, which can cause the device to overheat and burst into flames. Only connect devices of identical design to the device. When deciding how many devices you can connect in series, make sure that the maximum output current specified on the device and in the "Technical specifications" chapter of the user manual is not exceeded. Only use power cords with a cable cross-section designed for the required current intensity when connecting the devices in series.

NOTICE!**Risk of fire due to installation of a wrong fuse!**

Using fuses of a different type than compatible with the device may cause a fire and seriously damage the device. Only use fuses of the same type. Observe the labelling on the device casing and the information in the "Technical data" chapter.



NOTICE!

Risk of short circuit due to changing the connection wiring during operation!

- If connection cables of individual spots are removed or replaced during operation, short circuits may occur that can irreparably damage the device. Always disconnect the device from the mains before making any changes to the wiring.



NOTICE!

Damage to the device by disconnecting LED spots during operation!

- If individual LED spots are disconnected from the device during operation, the device can get damaged. Operate the device only when all LED spots are connected. Always disconnect the device from the mains before removing the LED spots.



NOTICE!

Radio interference due to electromagnetic fields!

- The unit emits electromagnetic radio signals. Overlapping radio waves may cause interference with the device and other devices. Do not use the device in locations where the use of wireless devices is prohibited.



NOTICE!

Risk of fire due to incorrect polarity!

- Incorrectly inserted batteries may cause fires and destroy the device and the batteries. Observe the markings on the batteries and on the device. Ensure that proper polarity is observed when inserting batteries.



NOTICE!

Possible damage due to leaking batteries!

- Batteries can leak and cause permanent damage to the device. Take the batteries out of the device if it is not going to be used for an extended period of time.

3 Features

The LED lighting set offers an ideal combination of white and coloured light for parallel illumination of stage and dance floor in various shades.

- Four LED spots with each seven 4-in-1 LEDs, 4 W each, pre-mounted on T-bar
 - Stairville CLB5 RGBW WH Compact LED Bar 5 (item no. 503920): Red, green, blue, cold white
 - Stairville CLB5 RGB WW Compact LED Bar 5 (item no. 419587): Red, green, blue, warm white
- Control via DMX (five different modes), via buttons and display on the device, infrared remote control (item no. 370552), foot switch (item no. 279058, available as an option) and radio foot switch (item no. 354223, available as an option)
- Pre-programmed automatic shows
- Sound control
- Master/slave mode
- Noiseless operation due to convection cooling
- Sturdy transport bag and infrared remote control included
- Optionally available accessories: Stand, foot switch, radio foot switch unit

For technological reasons, the light output of LEDs decreases over their lifetime. This effect increases with higher operating temperature. You can extend the service life of the illuminants by providing adequate ventilation and operating the LEDs with the lowest possible brightness.

4 Installation

Unpack and check carefully there is no transportation damage before using the unit. Keep the equipment packaging. To fully protect the product against vibration, dust and moisture during transportation or storage use the original packaging or your own packaging material suitable for transport or storage, respectively.



WARNING!

Risk of injury from falling devices that were inadequately secured!

If devices are not properly secured during assembly, they can cause severe injury and considerable damage by falling.

When installing and operating, make sure to follow the standards and regulations that apply in your country.

Always secure the device with a secondary safety attachment, such as a safety cable or a safety chain.

**NOTICE!****Damage to the device by disconnecting LED spots during operation!**

If individual LED spots are disconnected from the device during operation, the device can get damaged.

Operate the device only when all LED spots are connected.

Always disconnect the device from the mains before removing the LED spots.

**NOTICE!****Risk of overheating and fire due to inadequate distance and bad ventilation!**

If the distance between the light source and the illuminated surface is too short or the device is badly ventilated, the device can overheat and cause fires.

Make sure that illuminated surfaces are more than 2 m away.

Do not operate the device in ambient temperatures above 40 °C.

Always ensure sufficient ventilation at the operating location.



NOTICE!

Potential property damage due to unsuitable stands!

If the device is mounted on an unsuitable stand, there is a risk that the stand will fall over and cause damage.

Only use stands whose maximum bearing capacity is at least as high as the weight of the device. Always ensure that the stand is stable.



NOTICE!

Data transfer errors due to improper wiring!

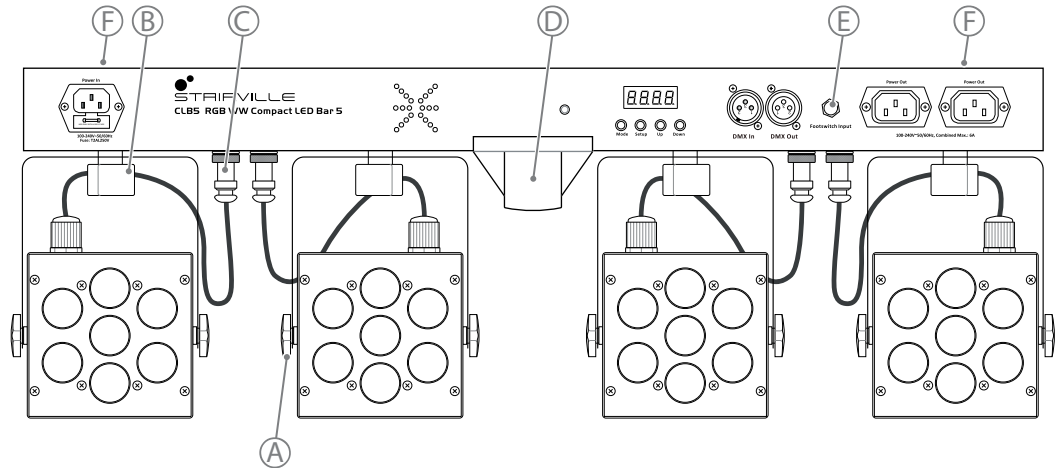
If the DMX connections are wired incorrectly, this can cause errors during the data transfer.

Do not connect the DMX input and output to audio devices, e.g. mixers or amplifiers.

Use special DMX cables for the wiring instead of normal microphone cables.

Pre-mounted spots

The four spots are pre-mounted on the T-bar.



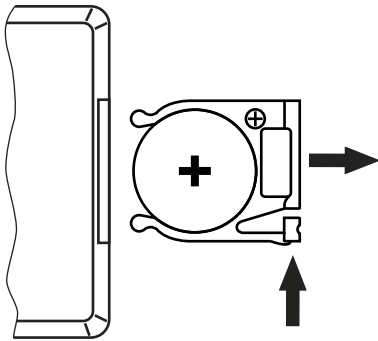
A	Locking screws for securing the inclination angle.
B	Locking screw for securing the spots on the T-bar and for horizontal orientation (beam direction).
C	Electrical connection of the spot at the T-bar (pre-mounted).
D	36-mm flange for mounting the T-bar on a stand.

- E 6.35-mm jack socket for connecting a foot switch unit.
- F Threads for attaching additional effects devices or for hanging by means of C-hooks.



Please note that this device must not be connected to a dimmer.

Inserting the battery into the remote control



Push the lock of the battery holder towards the centre of the housing and pull out the battery holder like a drawer. Insert the batteries. The battery is correct if the positive pole points to the housing base of the remote control. Slide the battery holder back into the remote until it clicks into place.

When shipping, the battery is already installed in the remote and protected against discharge by a transparent plastic film. Remove the plastic film before initial use.



NOTICE!

Risk of fire due to incorrect polarity!

Incorrectly inserted batteries may cause fires and destroy the device and the batteries.

Observe the markings on the batteries and on the device.

Ensure that proper polarity is observed when inserting batteries.



NOTICE!

Possible damage due to leaking batteries!

Batteries can leak and cause permanent damage to the device.

Take the batteries out of the device if it is not going to be used for an extended period of time.

5 Starting up

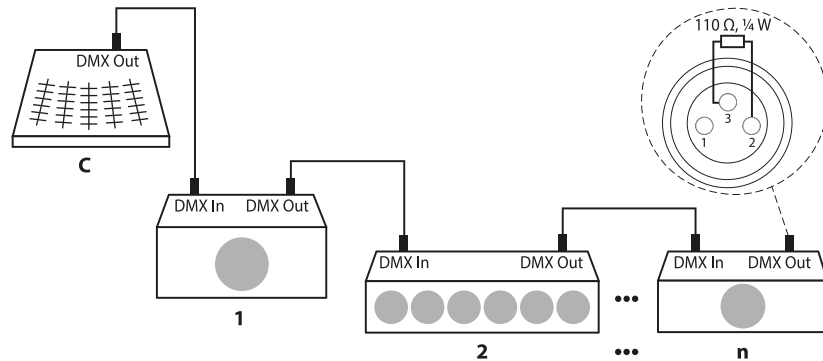
Create all connections while the device is off. Use the shortest possible high-quality cables for all connections. Take care when running the cables to prevent tripping hazards.

Notes on radio transmission

- This equipment uses a frequency range that is free of charge and registration within the European Union.
For more information, please visit: <http://www.thomann.de>.
- Make sure that no metal objects are located between transmitter and receiver.
- Avoid interference by other radio and in-ear systems.

Connections in DMX mode

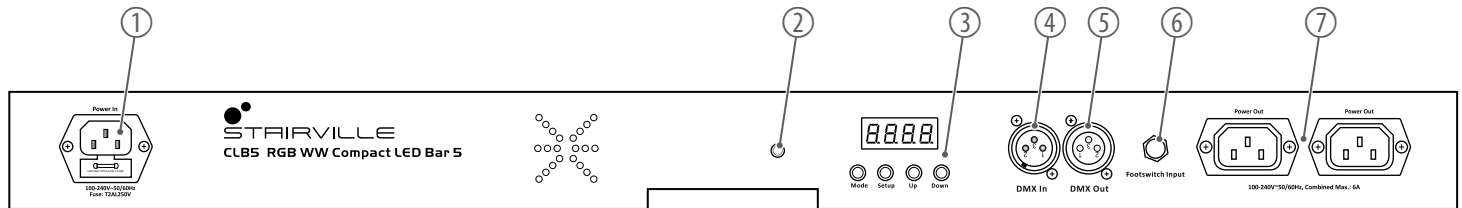
Connect the DMX input of the device to the DMX output of a DMX controller or another DMX device. Connect the output of the first DMX device to the input of the second one, and so on to form a daisy chain. Always ensure that the output of the last DMX device in the daisy chain is terminated with a resistor (110 Ω , 1/4 W).



Connections in master/slave mode

When you configure a group of devices in master/slave mode, the first unit will control the other units for an automatic, sound-activated, synchronized show. This function is ideal when you want to start a show immediately. Connect the DMX output of the master device to the DMX input of the first slave device. Then connect the DMX output of the first slave device to the DMX input of the second slave device and so on.

6 Connections and controls



1 *[Power In]* | Rubber panel plug for the power supply with fuse holder.

2 Infrared sensor for the remote control signals

3 Display and function buttons

[Mode] | Activates the main menu and toggles between menu items. Closes an open submenu.

[Setup] | Selects an option of the respective operating mode, confirms the set value.

[Up] | Increases the displayed value by one.

[Down] | Decreases the displayed value by one.

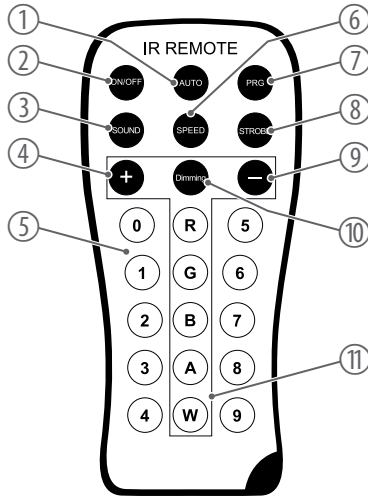
5 *[DMX In]* | DMX input, designed as XLR panel plug, 3-pin

5 *[DMX Out]* | DMX output, designed as XLR panel socket, 3-pin

6 *[Footswitch Input]* | 6.35-mm jack socket for connecting the foot switch unit

7 *[Power Out]* | Rubber panel socket for the power supply of further devices

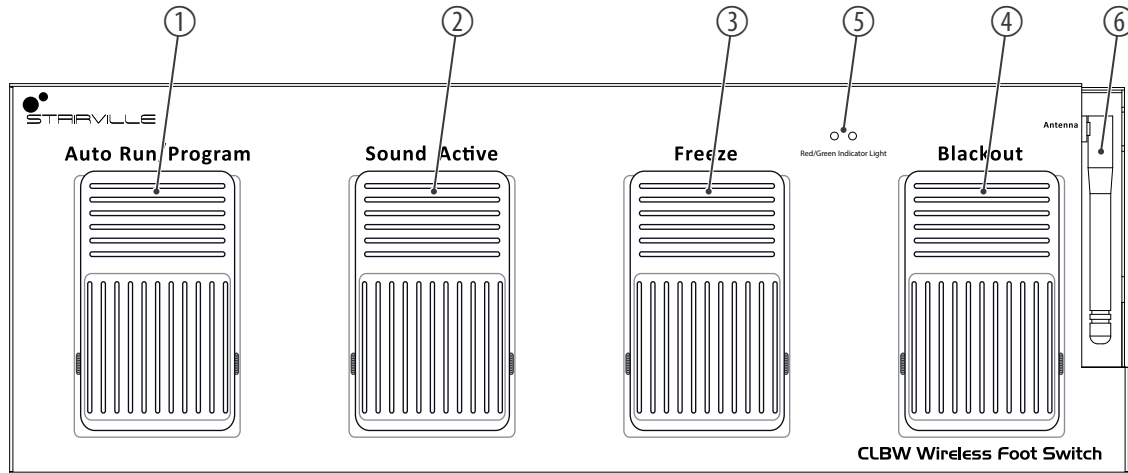
Infrared remote control (item no. 354223)



Since the universal remote control can be used for several device types, some buttons may not be assigned and therefore have no function.

1	[<i>AUTO</i>] Activates “Automatic” mode.
2	[<i>ON/OFF</i>] Turns the device on and off.
3	[<i>SOUND</i>] Activates “Sound control” mode. Adjust the sensitivity of the built-in microphone with [<i>+</i>] and [<i>-</i>].
4	[<i>+</i>] Increases the set value.
5	[<i>0 ... 9</i>] Number buttons for the direct selection of a fixed colour.
6	[<i>SPEED</i>] Activates setting mode for the programme speed. Adjust the speed using [<i>+</i>] and [<i>-</i>].
7	[<i>PRG</i>] Activates the “pre-programmed automatic show” mode. Select the required programme with [<i>+</i>] and [<i>-</i>].
8	[<i>STROBE</i>] Activates setting mode for the strobe speed. Adjust the speed using [<i>+</i>] and [<i>-</i>].
9	[<i>-</i>] Decreases the set value.
10	[<i>Dimming</i>] Activates the dimming function for fixed colours. Set the value for each fixed colour using [<i>+</i>] and [<i>-</i>].
11	[<i>R</i>], [<i>G</i>], [<i>B</i>], [<i>A</i>], [<i>W</i>] Buttons for selecting the colour shade in dimmer mode.

**Foot switch unit
(item no. 370552,
optionally available)**



1 [Auto Run/Program] | activates the 'Automatic' mode (playback of preprogrammed automatic shows).

2 [Sound Active] | activates the 'Sound-control' mode (playback of sound-controlled automatic shows).

- | | |
|---|---|
| 3 | <i>[Freeze]</i> pauses the running show ('freeze') and resumes it after a break. |
| 4 | <i>[Blackout]</i> blackouts all LEDs or turns them back on again. |
| 5 | <i>[Red/Green Indicator Light]</i> status LEDs. The red LED lights up when the device is turned on. The green LED flashes when the device is receiving radio signals. |
| 6 | <i>[Antenna]</i> antenna for transmission of the radio signals |

7 Operating

7.1 Starting the device

Connect the device to the power supply to start operation. After a few seconds, the display indicates that a reset is in progress. The device is then ready for use.

7.2 Main menu

Press *[Mode]* to activate the main menu and select an operating mode. Use *[Setup]* to select further options. Use *[Up]* and *[Down]* to change the respectively displayed value. When the display shows the desired value, press *[MODE]*.

If you do not press any key for about 30 seconds, the display turns off. It will be reactivated to display the previously shown menu by pressing any button.

The set values are retained even when the device is disconnected from the mains power supply.

Operating mode 'Automatic'

Automatic operation can only be activated when the unit is operating in stand alone mode or as master in a master / slave combination. This setting is only relevant if the device is not controlled via DMX.

Press *[Mode]* repeatedly until the display shows 'AUTO'.

Operating mode 'Preprogrammed automatic show'

A preprogrammed automatic show can only be activated when the unit is operating in stand-alone mode or as master in a master / slave combination. This setting is only relevant if the device is not controlled via DMX.

Press *[Mode]* repeatedly until the display shows 'Pro'. Press *[Setup]*. Now you can select one of the preprogrammed automatic shows. Use *[Up]* and *[Down]* to select a value between 'Pr.01' and 'Pr.38'.

Settings for programme 01:

For 'Pr.01', you can choose from 16 basic colours, maximum intensity or blackout of all LEDs. Press *[Setup]*. Now use *[Up]* and *[Down]* to select one of the following options: Blackout, Red, Green, Blue, White, Amber, Orange, Yellow, Magenta, Pink, Cyan, Light red, Light green, Light blue, Warm white, Cold white.

To adjust the flash frequency, press *[Setup]*. Use *[Up]* and *[Down]* to select a value between 'FL00' (slow) and 'FL99' (fast).

Settings for programmes 02 ... 28:

To adjust the speed of the selected auto show, press *[Setup]* repeatedly until the display indicates 'SPxx'. Now use *[Up]* and *[Down]* to select a value between 'SP.01' (slow) and 'SP.99' (fast).

To adjust the flash frequency, press *[Setup]* repeatedly until the display shows 'FL.xx'. Now use *[Up]* and *[Down]* to select a value between 'FL.00' (slow) and 'FL.99' (fast).

Operating mode 'Slave'

This setting is only relevant if the device is serving as Slave in a Master / Slave configuration and is not controlled via DMX.

Press *[Mode]* repeatedly until the display shows 'SLAv' and confirm with *[Setup]*.

DMX mode

This setting is only relevant when the device is controlled via DMX.

Press *[Mode]* until the display shows 'd.xxx'. Press *[Setup]*.

Now you can set the number of the first DMX channel to be used by the device (DMX address). Use *[Up]* and *[Down]* to select a value between 1 and 512 (display shows 'd.001' ... 'd.512').

Make sure that this number matches the configuration of your DMX controller. The following table shows the highest possible DMX address for the various DMX modes.

Mode	Highest possible DMX address
4-channel	509
8-channel	505
16-channel	497
18-channel	495
20-channel	493

Press *[Setup]*. With *[Up]* and *[Down]* you can select one of the following DMX operating modes:

- '4-ch' (four channels)
- '8-ch' (eight channels)
- '16ch' (sixteen channels)
- '18ch' (eighteen channels)
- '20ch' (twenty channels)

Sound control

A sound-controlled show can only be activated when the unit is operating in stand alone mode or as master in a master / slave combination. This setting is only relevant if the device is not controlled via DMX.

Press *[Mode]* repeatedly until the display shows 'Soud'.

Press *[Setup]* and use *[Up]* and *[Down]* to adjust the sensitivity for the built-in microphone in a range from 'SO.00' (low sensitivity) to 'SO.31' (high sensitivity).

Press *[Setup]* again and activate with *[Up]* and *[Down]* one of the programmed shows 'SU.01' to 'SU.31'.

Constant unicoloured pattern

A constant unicoloured pattern can only be activated when the unit is operating in stand alone mode or as master in a master / slave combination. This setting is only relevant if the device is not controlled via DMX.

Press *[Mode]* until the display shows 'Colr'. Press *[Setup]*.

Now use *[Up]* and *[Down]* to select one of the following options:

Display	Meaning
'r.000' ... 'r.255'	Red
'g.000' ... 'g.255'	Green
'b.000' ... 'b.255'	Blue
'u.000' ... 'u.255'	White

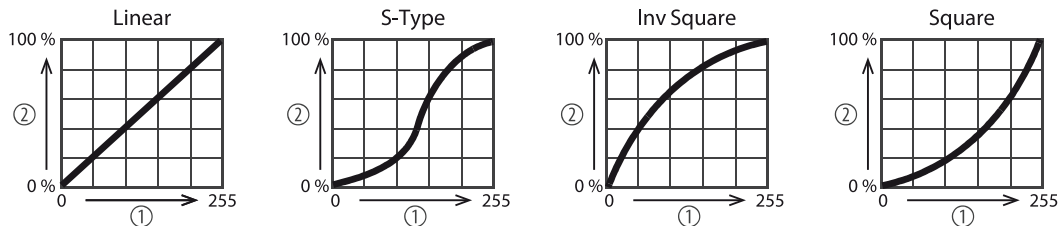
Dimmer curve

Press *[Mode]* repeatedly until the display shows 'Set'. Press *[Setup]*. Use *[Up]* and *[Down]* to select the menu item 'Cu.SE' and confirm with *[Setup]*.

Use *[Up]* and *[Down]* to select one of the following dimmer curves. The dimmer curve determines how the brightness increases or decreases depending on the set DMX value.

Display	Meaning
'Cu-1'	Linear (proportional) course
'Cu-2'	Quadratic curve with a flat profile at the beginning and a steep profile at the end (Square)
'Cu-3'	Inverted quadratic curve with a steep profile at the beginning and a flat profile at the end (Inv Square)
'Cu-4'	Non-linear curve with a distinctive flat profile at the beginning and the end (S-Type)

The below figure schematically shows the adjustable dimmer curves. Depending on the selected DMX value (1) the device lights with a brightness (2) between 0 % and 100 %. Confirm the selection with *[Setup]*. Press *[Mode]*.



Dimmer speed

Press *[Mode]* repeatedly until the display shows 'Set'. Press *[Setup]*. Use *[Up]* and *[Down]* to select the menu item 'di.SP' and confirm with *[Setup]*.

With *[Up]* and *[Down]* you can choose the response speed of the dimmer between 'FAST' (fast) and 'SLOW' (slow). Confirm the selection with *[Setup]*. Press *[Mode]*.

Reset

Press *[Mode]* repeatedly until the display shows 'Set'. *[Setup]*. Use *[Up]* and *[Down]* to select the menu item '-rSt' and confirm with *[Setup]*. Use *[Up]* and *[Down]* to select 'YES' (carry out reset) or 'NO' (no reset) and confirm with *[Setup]*.

Behaviour on DMX failure

Press *[Mode]* repeatedly until the display shows 'Set'. *[Setup]*. Use *[Up]* and *[Down]* to select the menu item 'FAIL' and confirm with *[Setup]*. With *[Up]* and *[Down]* you can choose how the device behaves in case of a disturbed DMX transmission: 'HoLd' (the current state is retained) and '-OFF' (device blackout). Confirm the selection with *[Setup]*.

DMX synchronisation

Press *[Mode]* repeatedly until the display shows 'Set'. *[Setup]*. Use *[Up]* and *[Down]* to select the menu item 'Sync' and confirm with *[Setup]*. With *[Up]* and *[Down]* you can choose how connected devices behave in case of a disturbed DMX transmission: 'On' (devices are synchronised with each other) and 'Off' (no synchronisation). Confirm the selection with *[Setup]*.

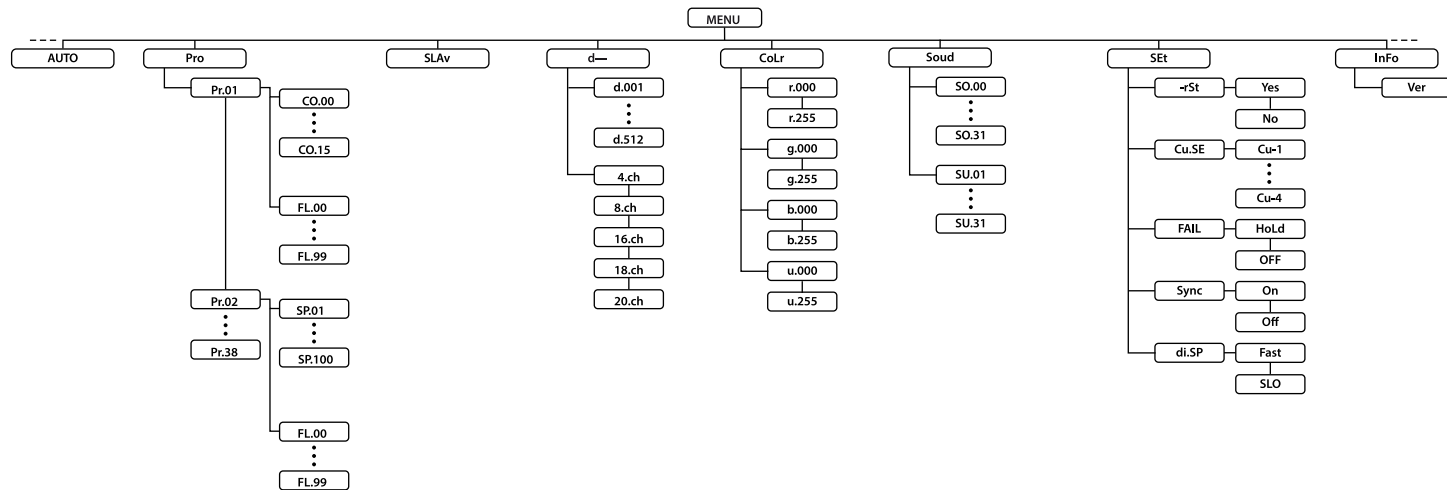
Enabling a wireless foot switch

Press *[Mode]* repeatedly until the display shows 'Set'. *[Setup]*. Use *[Up]* and *[Down]* to select the menu item 'Hey' and confirm with *[Setup]*. With *[Up]* and *[Down]* you can enable ('On') or disable ('Off') a wireless foot switch. Confirm the selection with *[Setup]*.

Firmware version

Press *[Mode]* repeatedly until the display shows 'InFo'. Press *[Setup]*, the display shows 'Ver'. Press *[Setup]* to let the device show the firmware version.

7.3 Menu overview



7.4 Functions in 4-channel DMX mode

Channel	Value	Function
1	0...255	Intensity red (0 % to 100 %), for all LEDs together
2	0...255	Intensity green (0 % to 100 %), for all LEDs together
3	0...255	Intensity blue (0 % to 100 %), for all LEDs together
4	0...255	Intensity white (0 % to 100 %), for all LEDs

7.5 Functions in 8-channel DMX mode

Channel	Value	Function
1	0...255	Intensity red (0 % to 100 %) for all LEDs spot 1 and 2
2	0...255	Intensity green (0 % to 100 %) for all LEDs spot 1 and 2
3	0...255	Intensity blue (0 % to 100 %) for all LEDs spot 1 and 2
4	0...255	Intensity white (0 % to 100 %) for all LEDs spot 1 and 2
5	0...255	Intensity red (0 % to 100 %) for all LEDs spot 3 and 4
6	0...255	Intensity green (0 % to 100 %) for all LEDs spot 3 and 4
7	0...255	Intensity blue (0 % to 100 %) for all LEDs spot 3 and 4
8	0...255	Intensity white (0 % to 100 %) for all LEDs spot 3 and 4

7.6 Functions in 16-channel DMX mode

Channel	Value	Function
1	0...255	Intensity red (0 % to 100 %) for all LEDs spot 1
2	0...255	Intensity green (0 % to 100 %) for all LEDs spot 1

Channel	Value	Function
3	0...255	Intensity blue (0 % to 100 %) for all LEDs spot 1
4	0...255	Intensity white (0 % to 100 %) for all LEDs spot 1
5	0...255	Intensity red (0 % to 100 %) for all LEDs spot 2
6	0...255	Intensity green (0 % to 100 %) for all LEDs spot 2
7	0...255	Intensity blue (0 % to 100 %) for all LEDs spot 2
8	0...255	Intensity white (0 % to 100 %) for all LEDs spot 2
9	0...255	Intensity red (0 % to 100 %) for all LEDs spot 3
10	0...255	Intensity green (0 % to 100 %) for all LEDs spot 3
11	0...255	Intensity blue (0 % to 100 %) for all LEDs spot 3
12	0...255	Intensity white (0 % to 100 %) for all LEDs spot 3
13	0...255	Intensity red (0 % to 100 %) for all LEDs spot 4
14	0...255	Intensity green (0 % to 100 %) for all LEDs spot 4
15	0...255	Intensity blue (0 % to 100 %) for all LEDs spot 4
16	0...255	Intensity white (0 % to 100 %) for all LEDs spot 4

7.7 Functions in 18-channel DMX mode

Channel	Value	Function
1	0...255	Dimmer (0 % to 100 %)
2	0...255	Intensity red (0 % to 100 %) for all LEDs spot 1
3	0...255	Intensity green (0 % to 100 %) for all LEDs spot 1
4	0...255	Intensity blue (0 % to 100 %) for all LEDs spot 1
5	0...255	Intensity white (0 % to 100 %) for all LEDs spot 1
6	0...255	Intensity red (0 % to 100 %) for all LEDs spot 2
7	0...255	Intensity green (0 % to 100 %) for all LEDs spot 2
8	0...255	Intensity blue (0 % to 100 %) for all LEDs spot 2
9	0...255	Intensity white (0 % to 100 %) for all LEDs spot 2
10	0...255	Intensity red (0 % to 100 %) for all LEDs spot 3
11	0...255	Intensity green (0 % to 100 %) for all LEDs spot 3
12	0...255	Intensity blue (0 % to 100 %) for all LEDs spot 3
13	0...255	Intensity white (0 % to 100 %) for all LEDs spot 3
14	0...255	Intensity red (0 % to 100 %) for all LEDs spot 4

Channel	Value	Function
15	0...255	Intensity green (0 % to 100 %) for all LEDs spot 4
16	0...255	Intensity blue (0 % to 100 %) for all LEDs spot 4
17	0...255	Intensity white (0 % to 100 %) for all LEDs spot 4
18	Strobe effect	
	0...4	No function
	5...255	Stroboscope effect (0 % to 100 %)

7.8 Functions in 20-channel DMX mode

Channel	Value	Function
1	0...255	Dimmer (0 % to 100 %)
2	0...255	Intensity red (0 % to 100 %) for all LEDs spot 1
3	0...255	Intensity green (0 % to 100 %) for all LEDs spot 1
4	0...255	Intensity blue (0 % to 100 %) for all LEDs spot 1
5	0...255	Intensity white (0 % to 100 %) for all LEDs spot 1
6	0...255	Intensity red (0 % to 100 %) for all LEDs spot 2
7	0...255	Intensity green (0 % to 100 %) for all LEDs spot 2
8	0...255	Intensity blue (0 % to 100 %) for all LEDs spot 2
9	0...255	Intensity white (0 % to 100 %) for all LEDs spot 2
10	0...255	Intensity red (0 % to 100 %) for all LEDs spot 3
11	0...255	Intensity green (0 % to 100 %) for all LEDs spot 3
12	0...255	Intensity blue (0 % to 100 %) for all LEDs spot 3
13	0...255	Intensity white (0 % to 100 %) for all LEDs spot 3
14	0...255	Intensity red (0 % to 100 %) for all LEDs spot 4

Channel	Value	Function
15	0...255	Intensity green (0 % to 100 %) for all LEDs spot 4
16	0...255	Intensity blue (0 % to 100 %) for all LEDs spot 4
17	0...255	Intensity white (0 % to 100 %) for all LEDs spot 4
18	0	Dimmer
	1...5	Preprogrammed automatic show 01
	11...16	Preprogrammed automatic show 02
	12...17	Preprogrammed automatic show 03
	18...23	Preprogrammed automatic show 04
	24...29	Preprogrammed automatic show 05
	30...35	Preprogrammed automatic show 06
	36...41	Preprogrammed automatic show 07
	42...47	Preprogrammed automatic show 08
	48...53	Preprogrammed automatic show 09
	54...59	Preprogrammed automatic show 10
	60...65	Preprogrammed automatic show 11
66...71	Preprogrammed automatic show 12	

Channel	Value	Function
	72...77	Preprogrammed automatic show 13
	78...83	Preprogrammed automatic show 14 ('Carnival in Rio')
	84...89	Preprogrammed automatic show 15
	90...95	Preprogrammed automatic show 16
	96...101	Preprogrammed automatic show 17
	102...107	Preprogrammed automatic show 18
	108...113	Preprogrammed automatic show 19
	114...119	Preprogrammed automatic show 20
	120...125	Preprogrammed automatic show 21
	126...131	Preprogrammed automatic show 22
	132...137	Preprogrammed automatic show 23
	138...143	Preprogrammed automatic show 24
	144...149	Preprogrammed automatic show 25
	150...155	Preprogrammed automatic show 26
	156...161	Preprogrammed automatic show 27
	162...167	Preprogrammed automatic show 28

Channel	Value	Function
	168...173	Preprogrammed automatic show 29
	174...179	Preprogrammed automatic show 30
	180...185	Preprogrammed automatic show 31 ('Blue & Orange')
	186...191	Preprogrammed automatic show 32 ('Campfire')
	192...197	Preprogrammed automatic show 33 ('Ice Time')
	198...203	Preprogrammed automatic show 34 ('Old School')
	204...209	Preprogrammed automatic show 35 ('Pink Panther')
	210...215	Preprogrammed automatic show 36 ('Rainbow')
	216...221	Preprogrammed automatic show 37 ('Reggae')
	222...227	Preprogrammed automatic show 38 ('Techno Time')
	228...255	Sound-controlled show
19	Function depending on setting of channel 18	
	Channel 18 = 0...5	
	0...15	R: 0; G: 0; B: 0; W: 0;
	16...31	R: 255; G: 0; B: 0; W: 0;
	32...47	R: 0; G: 255; B: 0; W: 0;

Channel	Value	Function
	48...63	R: 0; G: 0; B: 255; W: 0;
	64...79	R: 0; G: 0; B: 0; W: 255;
	80...95	R: 255; G: 150; B: 0; W: 0;
	96...111	R: 255; G: 180; B: 0; W: 0;
	112...127	R: 255; G: 255; B: 0; W: 0;
	128...143	R: 255; G: 0; B: 255; W: 0;
	144...159	R: 255; G: 0; B: 140; W: 0;
	160...175	R: 0; G: 255; B: 255; W: 0;
	176...191	R: 255; G: 0; B: 0; W: 210;
	192...207	R: 0; G: 255; B: 0; W: 210;
	208...223	R: 0; G: 0; B: 255; W: 210;
	224...239	R: 255; G: 200; B: 40; W: 90;
	240...255	R: 255; G: 255; B: 255; W: 255;
	Channel 18 = 6...227	
	0...255	Programme running speed Pr.02...Pr.38
	Channel 18 = 228...255	

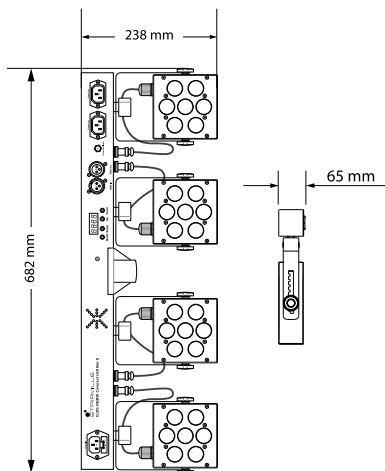
Channel	Value	Function
	0...255	Sound-controlled operation SO.01...SO.37
20	Strobe effect	
	0...4	No function
	5...255	Stroboscope effect (0 % to 100 %)

7.9 Reset to factory defaults

Proceed as follows to reset the device to factory defaults:

1. ➤ Switch off the device.
2. ➤ Switch the device on again and hold the buttons *[Mode]* and *[Setup]* pressed for about 2 seconds.

8 Technical specifications



		CLB5 RGBW WH Compact LED Bar 5 Item no. 503920	CLB5 RGB WW Compact LED Bar 5 Item no. 419587
Light source		28 × RGBW LED, 4 W each	28 × RGBWW LED, 4 W each
Optical properties	Beam angle	40°	
Control		DMX	
		Infrared remote control	
		Foot switch, wired (optional)	
		Wireless foot switch (optional)	
Number of DMX channels		4, 8, 16, 18, 20	
Input connections	Power supply	1 × rubber panel plug C14	
	DMX control	1 × XLR panel socket, 3-pin	
	Foot switch unit	1 × 6.35-mm jack socket	
Output connections	Power supply for further devices	2 × rubber panel socket C13	
		Combined output current, max.: 6A	

		CLB5 RGBW WH Compact LED Bar 5 Item no. 503920	CLB5 RGB WW Compact LED Bar 5 Item no. 419587
	DMX control	1 × XLR panel socket, 3-pin	
Power consumption		110 W	
Supply voltage		100 - 240 V ~ 50/60 Hz	
Fuse		5 mm × 20 mm, 2 A, 250 V, slow blow	
Transmitting frequency of radio antenna		2.4 GHz	
Max. transmission power		100 mW	
Remote control battery		Lithium-ion button cell CR2025, 3 V	
Foot switch battery		9-V block battery	
International Protection Rating		IP20	
Mounting options		Stand Stand holder: 36-mm flange 3 × M10 thread on the top	
Dimensions (W × H × D)		682 mm × 238 mm × 65 mm	
Weight		5.5 kg	

		CLB5 RGBW WH Compact LED Bar 5 Item no. 503920	CLB5 RGB WW Compact LED Bar 5 Item no. 419587
Ambient conditions	Temperature range	0 °C...40 °C	
	Relative humidity	20%...80% (non-condensing)	

Further information

	CLB5 RGBW Compact LED Bar 5 Item no. 503920	CLB5 RGB WW Compact LED Bar 5 Item no. 419587
Spotlight included	Yes	Yes
Effects devices included	No	No
LED bars included	No	No
Controller included	Remote control	Remote control
Stand included	No	No
Case/bag included	Yes	Yes
Colour	White	Black

9 Plug and connection assignments

Introduction

This chapter will help you select the right cables and plugs to connect your valuable equipment so that a perfect light experience is guaranteed.

Please take our tips, because especially in 'Sound & Light' caution is indicated: Even if a plug fits into a socket, the result of an incorrect connection may be a destroyed DMX controller, a short circuit or 'just' a not working light show!

DMX connections

The unit offers a 3-pin XLR socket for DMX output and a 3-pin XLR plug for DMX input. Please refer to the drawing and table below for the pin assignment of a suitable XLR plug.



Pin	Configuration
1	Ground, shielding
2	Signal inverted (DMX-, 'cold signal')
3	Signal (DMX+, 'hot signal')

10 Cleaning

Optical lenses

Clean the optical lenses, that are accessible from the outside, regularly in order to optimize the light output. The frequency of cleaning depends on the operating environment: wet, smoky or particularly dirty surroundings can cause more accumulation of dirt on the optics of the device.

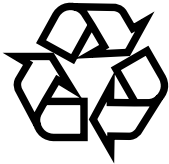
- Clean with a soft cloth using our lamp and lens cleaner (item no. 280122).
- Always dry the parts carefully.

Fan grids

The fan grids of the device must be cleaned of any contamination, such as dust, etc. on a regular basis. Before cleaning, switch off the device and disconnect mains-operated devices from the mains. Only use pH-neutral, solvent-free and non-abrasive cleaning agents. Clean the unit with a slightly damp lint-free cloth.

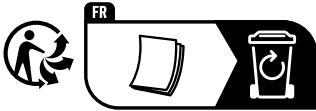
11 Protecting the environment

Disposal of the packing material



Environmentally friendly materials have been chosen for the packaging. These materials can be sent for normal recycling. Ensure that plastic bags, packaging, etc. are disposed of in the proper manner.

Do not dispose of these materials with your normal household waste, but make sure that they are collected for recycling. Please follow the instructions and markings on the packaging.



Observe the disposal note regarding documentation in France.

Disposal of batteries

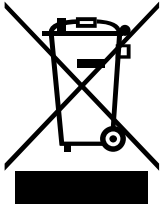


Batteries must not be thrown away or burnt, but must instead be disposed of in line with the local regulations on the disposal of hazardous waste. Use the available collection sites.

Only dispose of lithium batteries when they are empty. Remove lithium batteries from the device before disposal if this is possible without destroying it. Protect used lithium batteries against short circuit, for example by taping the poles. Dispose the built-in lithium batteries together with the device. Check for an appropriate collection facility.

Dispose of the batteries and rechargeable batteries at relevant collection points or through your local waste facility.

Disposal of your old device



This product is subject to the European Waste Electrical and Electronic Equipment Directive (WEEE) as amended.

Do not dispose of your old device with your normal household waste; instead, deliver it for controlled disposal by an approved waste disposal firm or through your local waste facility. If in doubt, consult your local waste management facility. You can also return the device to a retailer if they offer to take the device back for free or if they are legally obliged to do so. When disposing of the device, comply with the rules and regulations that apply in your country. You can also return your old device to Thomann GmbH at no charge. Check the current conditions on www.thomann.de.

Proper disposal protects the environment as well as the health of your fellow human beings. This is because the proper handling of old devices negates the potential negative effects of hazardous substances, and because it conserves resources by recycling them.

Also note that waste avoidance is a valuable contribution to environmental protection. Repairing a device or passing it on to another user is an ecologically valuable alternative to disposal.

If your old device contains personal data, delete those data before disposing of it.

